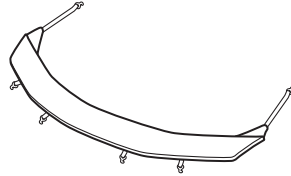
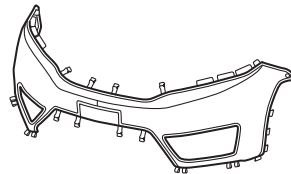
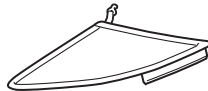
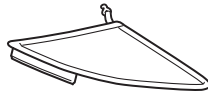


**PARTS LIST**Mask  
(hood section)Mask  
(bumper section)Mask  
(Left fender section)Mask  
(Right fender section)

2 Snap-screws



2 Washers



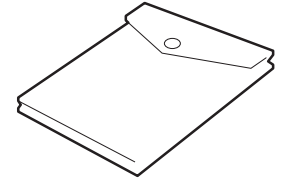
2 Fenderwell nuts



Elastic cord



Storage bag

**TOOLS AND SUPPLIES REQUIRED**

Stubby Phillips screwdriver

Utility knife

Flat-tip screwdriver

High-quality paste wax

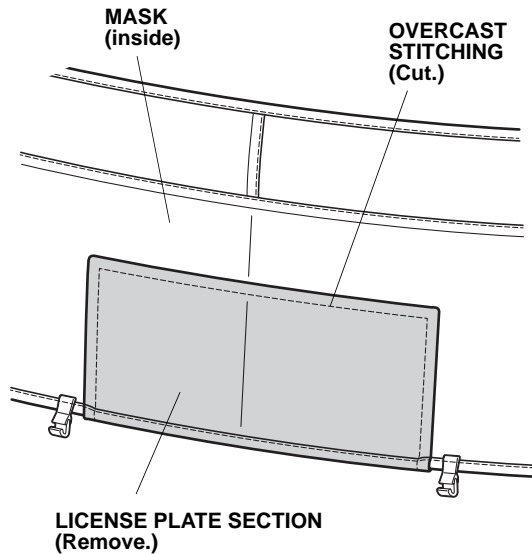
**INSTALLATION****NOTE:**

- Make sure the vehicle and the nose mask are clean and completely dry before installation. If moisture under the mask is allowed to dry, it may cloud the paint. If the mask gets wet, remove it and allow it to air-dry completely.
- Make sure any repainted surfaces are cured.
- Wax the hood and nose of the vehicle with a high-quality paste wax.
- Install the nose mask securely. If the nose mask starts to flap or comes loose while driving, safely pull off the highway, stop the vehicle, and secure or remove the mask.

## Displaying the Front License Plate

If your state law requires the display of both license plates, cut out the piece of the mask's bumper section that covers the front license plate:

- Face the inside of the bumper section toward you.
- Carefully cut out the license plate section with a utility knife at the top seam, and remove the overcast stitching.

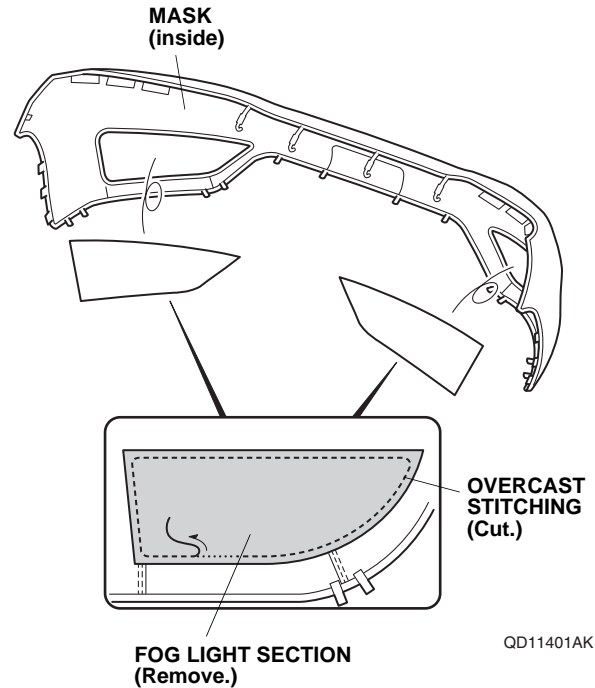


QCN1101AJ

## With Fog Lights

If the vehicle is equipped with fog lights, cut out the fog light section of the mask:

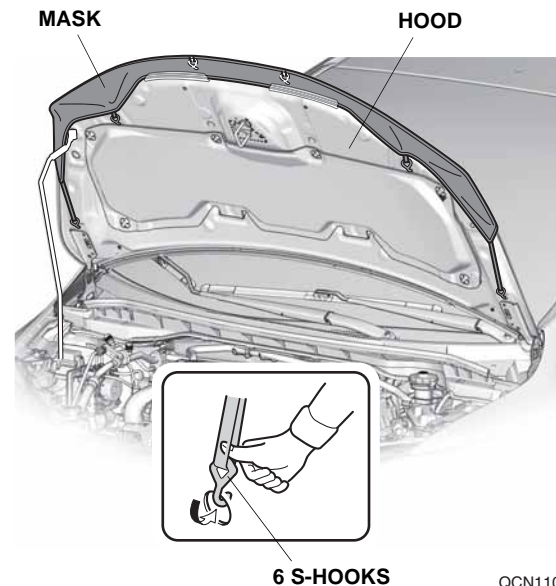
- Face the bumper side of the mask toward you.
- Carefully cut out the fog light section with utility knife at the top seam, and remove the overcast stitching.



QD11401AK

## Installing the Hood Section

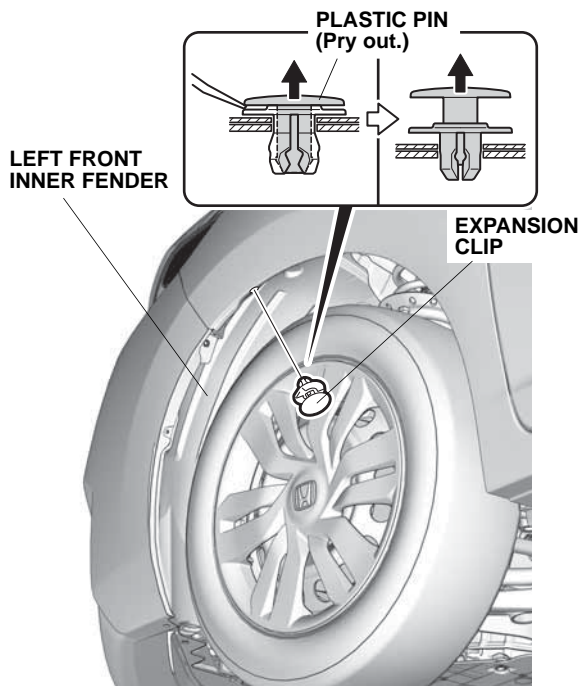
1. Open the hood. Fit the corners of the mask's hood section around the hood, and adjust it so it fits smoothly over the edges. Attach six S-hooks to the hood by inserting your finger into the belt of each hook.



QCN1102AJ

## Installing the Bumper Section

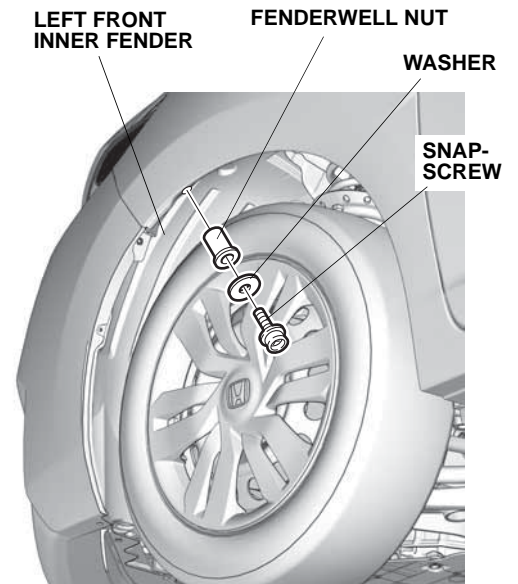
- Turn the steering wheel clockwise.



QCN1103AJ

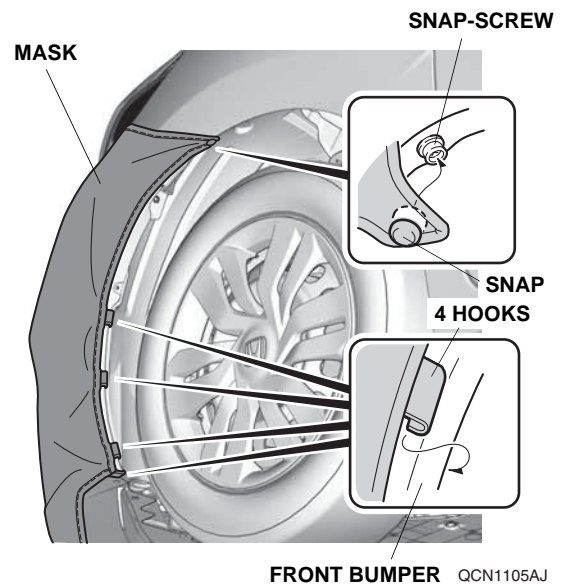
- Pry out the plastic pin of expansion clip, and remove the expansion clip that fastens the left front inner fender. Retain the expansion clip, then clean the area around the hole.

- Press one fenderwell nut into the hole in the left front inner fender.



QCN1104AJ

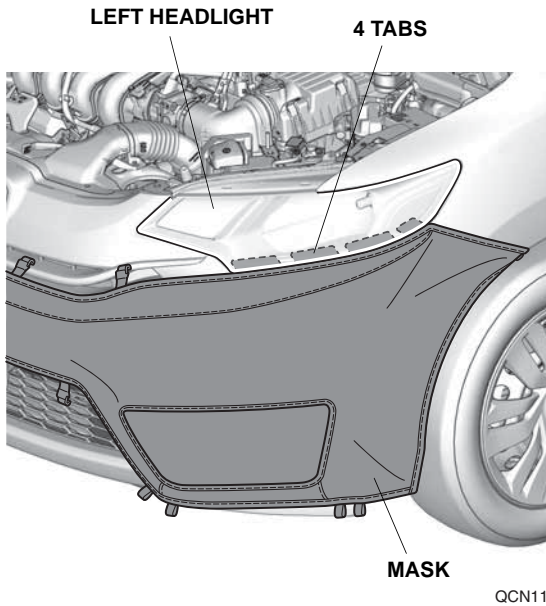
- With the washer in place, securely tighten one snap-screw into the fenderwell nut.
- Turn the steering wheel counterclockwise, and repeat steps 3 through 5 on the right side of the vehicle.
- Pull the mask's bumper section back toward the fenderwell, smooth out any wrinkles, and then snap the mask onto the snap-screw.



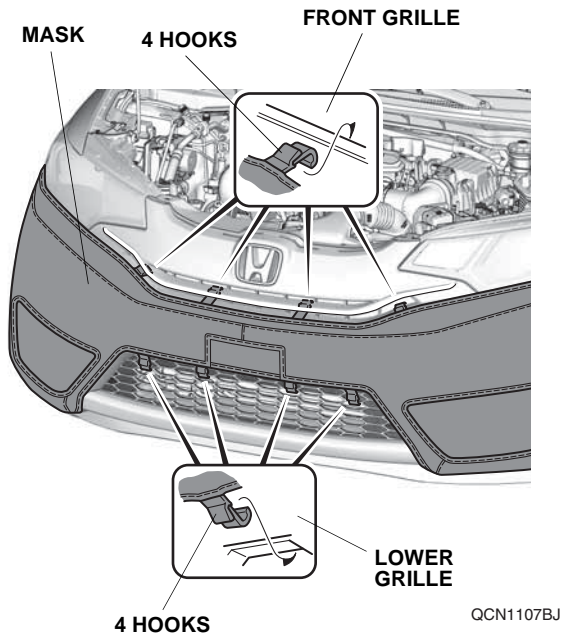
FRONT BUMPER QCN1105AJ

- Attach the four hooks on the mask to the edge of the front bumper.
- Repeat steps 7 and 8 on the right side of the vehicle.

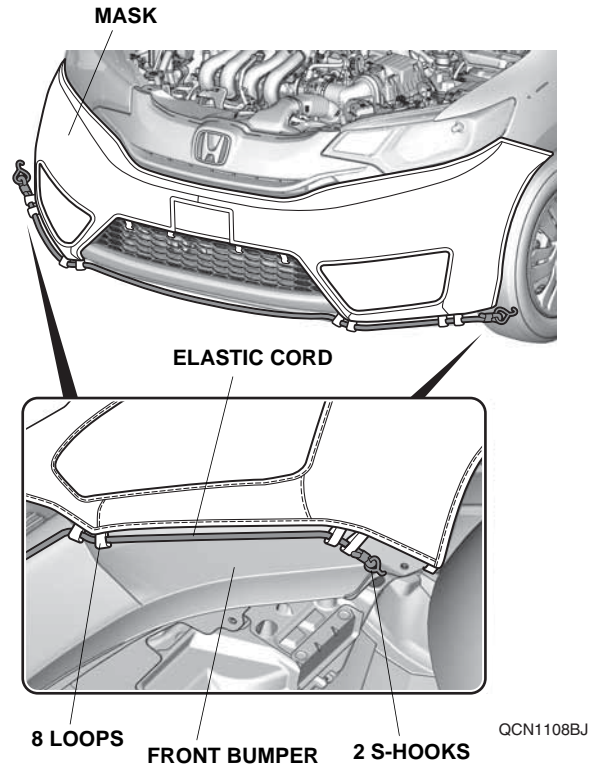
- On each side of the vehicle, insert the four tabs between the headlight and the front bumper.



- Attach the eight hooks to the inside edge of the lower grille opening and front grille opening.

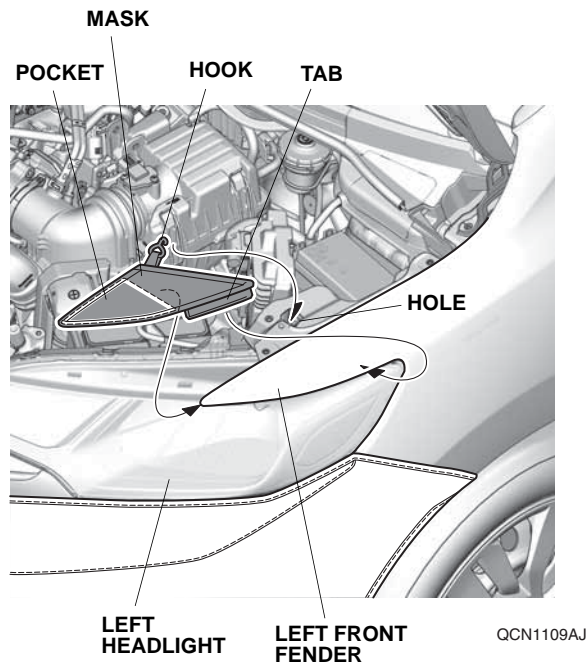


- Route the elastic cord through eight loops on the bottom of the mask's bumper section. Attach one S-hook to the bottom edge of the bumper on one side. Stretch out the cord after routing it through each loop, then attach the other S-hook to the bottom edge of the front bumper on the other side.



## Installing the Fender Section

- Slip the pocket of the mask's left fender section onto the corners of the left front fender, and attach the hook to the hole in the fender. Insert one tab between the left front fender and the headlight.



- Repeat step 13 on the right side of the vehicle.
- Put two expansion clips removed in step 3 into the storage bag, and place in the glove box for future use.

## CLEANING THE NOSE MASK

Use a sponge or cloth with a solution of mild liquid dishwashing soap and water to clean the vinyl and the flannel backing. Rinse the mask completely with clean water, and hang it to dry, out of direct sunlight. Make sure the mask is completely dry before you reinstall it.